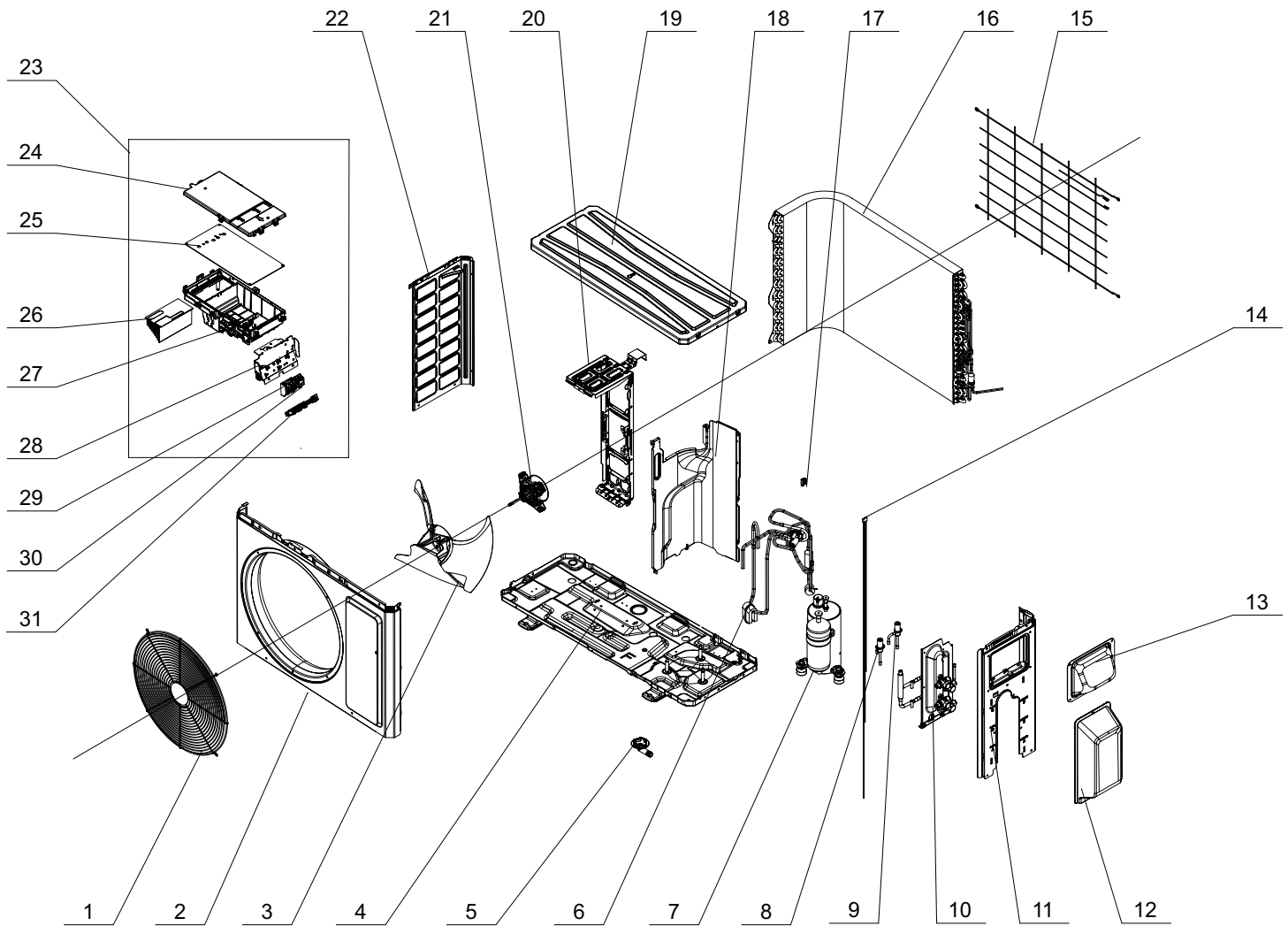


# Exploded View and Parts List

MULTI18HP230V1EO



**THE PARTS LIST ON THE NEXT PAGE DOES NOT FOLLOW THE NUMBERS SHOWN ON THE EXPLODED VIEW. HOWEVER IT PROVIDES A MUCH MORE DETAILED PARTS LISTING.**

Some models may not contain some parts, please refer to the actual product.

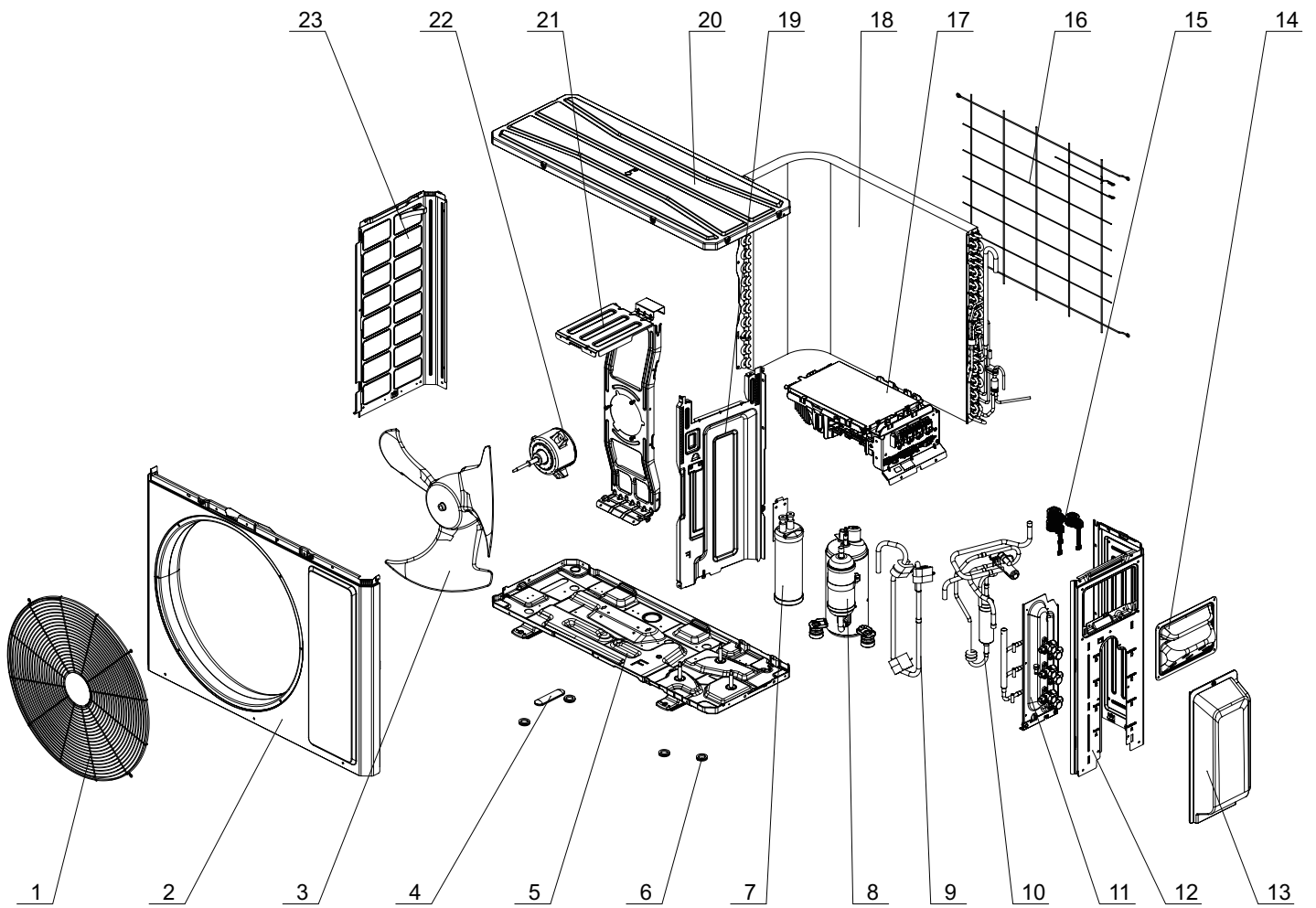


## MULTI18HP230V1EO

No.	Part Description	Qty.	Part No.
1	Chassis Sub-assy	1	017000060690P
2	Electrical Heater (Chassis)	1	7651000423
3	Compressor and Fittings	1	009001060656
4	Compressor OL (External) 1	1	00183031
5	Compressor Gasket	3	009012000026
6	Compressor OL (External) 2	1	00183032
7	Condenser Assy	1	011002062113
8	Temp Sensor Sleeving	1	05212423
9	Strainer	1	07225088
10	Temperature Sensor (Support)	2	42020063
11	Cut-off Valve Sub-Assy(1/4)	2	030057060367
12	Cut-off Valve 1/4(N)	1	07130239
13	Cut-off Valve Sub-Assy 3/8	2	030057060366
14	Cut-off Valve 3/8(N)	1	071302391
15	EEV Assy 1	1	030174060148
16	EEV Only	1	072009060033
17	Strainer	2	0721304401
18	Current Divider	1	07222401
19	4-Way Valve Assy W/ Weight	1	030152061014
20	4-Way Valve Assy	1	030152061011
21	4-Way Valve	1	072007060013
22	Silencer	1	07243066
23	Sponge(Condenser)	1	12123091
24	Brushless DC Motor	1	150104060095
25	Axial Flow Fan	1	103002060015
26	Magnet Coil	1	4300040078
27	EEV Coil 1	1	07200206002309
28	EEV Coil 1	1	07200206002315
29	Electric Box Assy	1	100002074776
30	Main Board	1	300027062383
31	XY capacitor	3	33020201

## MULTI18HP230V1EO

No.	Part Description	Qty.	Part No.
32	Relay	1	441001060032
33	Terminal Board 1 (3 Pin)	1	42200006007501
34	Terminal Board 2 (3 Pin)	1	422000060015
35	Wire Clamp (Clear)	1	200015060023
36	Wire Clamp (Gray))	1	71010003
37	Insulation Gasket	1	70410334
38	Temperature Sensor	1	3900030905
39	Sensor Sub-assy	1	390002060125
40	Heat Insulator	2	12128748
41	Left Side Plate	1	012055060395P01
42	Right Side Plate	1	01205606039601P01
43	Front Panel Assy	1	000003060750
44	Cabinet	1	01202206001002P01
45	Front Grillee	1	016004060011
46	Top Cover Assy	1	000097060355
47	Top Cover	1	012049060107P
48	Rear Grillee	1	016001060082
49	Sponge(Rear Grillee)	1	12204221
50	Handle Assy	1	000223000028
51	Valve Cover	1	200087060006
52	Drainage Hole Cap 1	2	06813401
53	Drainage Hole Cap 2	2	7671301802
54	Adaptor	2	06642038
55	Drainage Joint	1	26113009



The component is only for reference; please refer to the actual product.

**THE PARTS LIST ON THE NEXT PAGE DOES NOT FOLLOW THE NUMBERS SHOWN ON THE EXPLODED VIEW. HOWEVER IT PROVIDES A MUCH MORE DETAILED PARTS LISTING.**

Some models may not contain some parts, please refer to the actual product.

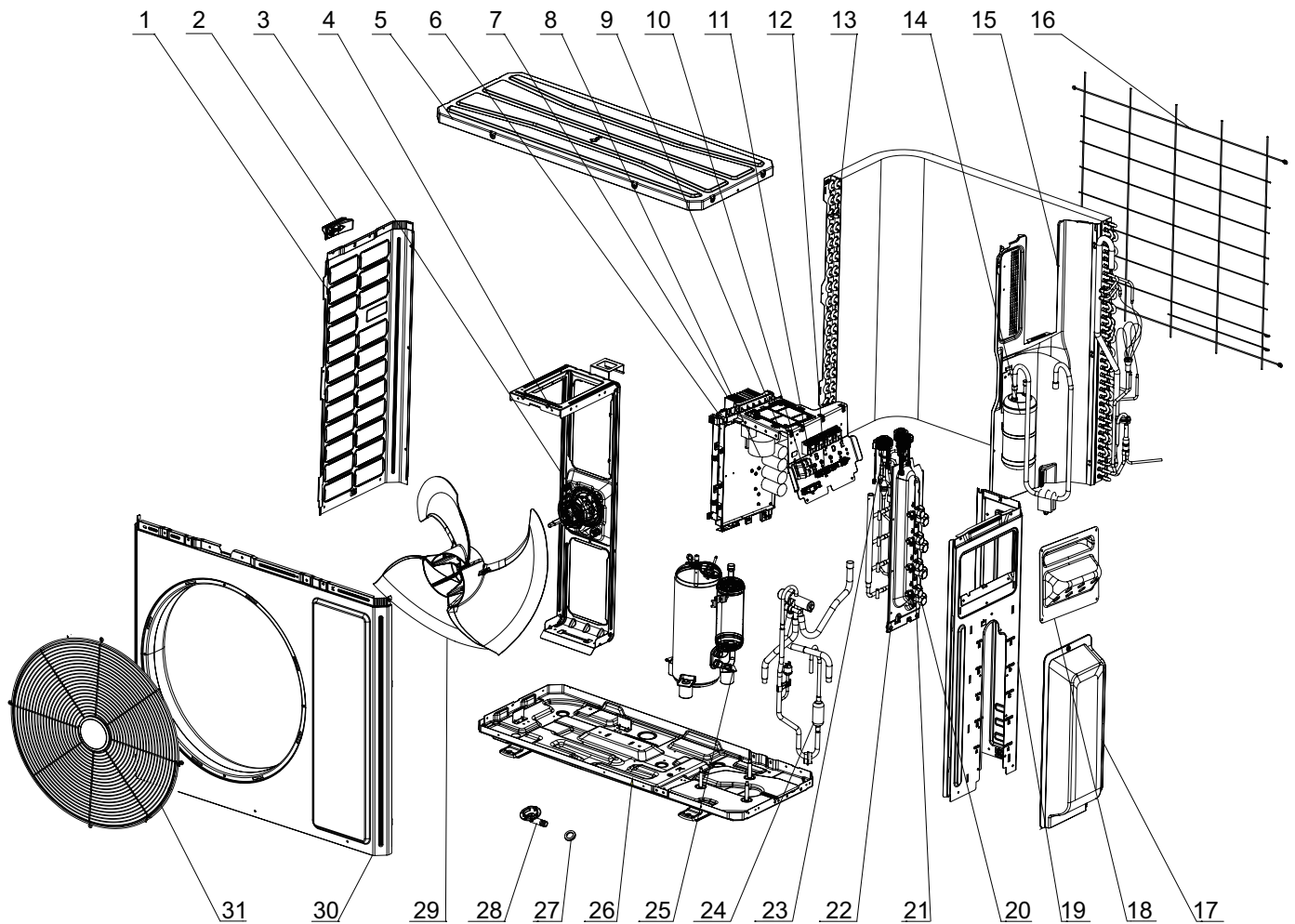


## MULTI24HP230V1EO

NO.	Description	QTY	Part No
1	Chassis Sub-assy	1	017000060725P
2	Foot	2	012280060008
3	Electrical Heater	1	765100049
4	Compressor and Fittings	1	00900106060301
5	Compressor Gasket	3	009012000022
6	Compressor OL (External) 1	1	00183032
7	Compressor OL (External) 2	1	00183031
8	Condenser Assy	1	011002061648
9	Strainer	1	07225088
10	Temp Sensor Sleeving	4	05212423
11	Cut-off Valve Sub-Assy 3/8	3	030057060366
12	Cut-off Valve 3/8(N)	1	071302391
13	Cut-off Valve Sub-Assy(1/4)	3	030057060367
14	Cut-off Valve 1/4(N)	1	07130239
15	EEV Assy Assy	1	030174060163
16	EEV 1,2,3	3	072009060033
17	EEV Coil 1	1	07200206002312
18	EEV Coil 2	1	07200206002327
19	EEV Coil 3	1	07200206002326
20	Strainer	3	0721304401
21	Temp Sensor Support	7	42020063
22	4-Way Valve Assy w/ Weight	1	030152060962
23	4-Way Valve Assy	1	030152060698
24	4-Way Valve	1	430004032
25	Silencer	1	07243027
26	Rivet Nut M5	1	70310165
27	Gas-liquid Separator	2	07223048
28	Nuts M5X16	1	70110295
29	Motor Support Sub-Assy	2	017012060392
30	Motor Support	1	012048060145
31	Brushless DC Motor	1	150104060103

## MULTI24HP230V1EO

NO.	Description	QTY	Part No
32	Axial Flow Fan	1	10335262
33	Magnet Coil	1	4300040071
34	Electric Box Assy	1	100002074775
35	Main Board	1	300027062497
36	Relay	1	441001060032
37	Relay	1	44020452
38	Electric Box Cover	2	2012302801
39	Terminal Board	1	42000100000102
40	Terminal Board	1	422000060015
41	Insulation Gasket	3	70410334
42	Wire Clamp	2	71010003
43	Wire Clamp	1	200015060025
44	Temperature Sensor 1	1	3900007316
45	Temperature Sensor 2	1	3900007319
46	Temperature Sensor 3	1	3900007317
49	Temperature Sensor 4	1	3900030901
47	Left Side Plate	1	012055060393P
48	Right Side Plate	1	01205606043601P
50	Front Panel Assy	1	000003060543
51	Front Panel	1	01207306161101P
52	Front Grille	1	016004060017
53	Coping	1	012049060117P
54	Rear Grille	1	016001060085
55	Sponge(Rear Grille)	1	12204221
56	Handle Assy	2	000223000027
57	Valve Cover	1	200087060007
58	Adaptor	1	06642038
59	Drainage Hole Cap 1	3	06813401
60	Drainage Hole Cap 2	4	7671301802
61	Drainage Joint	1	26113009



The component is only for reference; please refer to the actual product.

**THE PARTS LIST ON THE NEXT PAGE DOES NOT FOLLOW THE NUMBERS SHOWN ON THE EXPLODED VIEW. HOWEVER IT PROVIDES A MUCH MORE DETAILED PARTS LISTING.**

Some models may not contain some parts, please refer to the actual product.



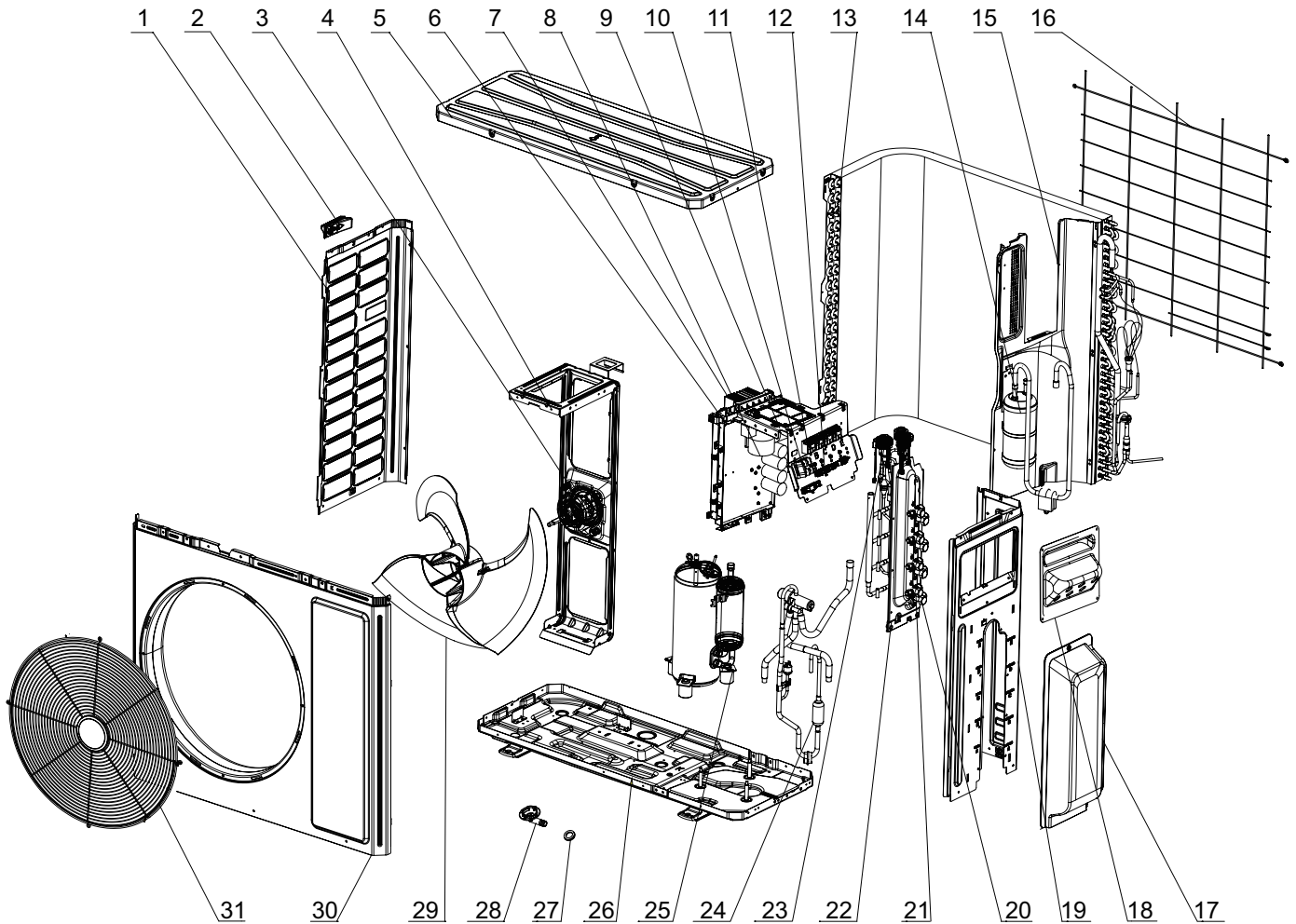
## MULTI30HP230V1EO

No.	Description	Qty.	Part No.
1	Chassis Sub-assy	1	01700006084602P
2	Electrical Heater	1	765100049
3	Compressor and Fittings	1	009001060917
4	Compressor Gasket	3	76710247
5	Compressor OL (External) 1	1	00183031
6	Compressor OL (External) 2	1	00183032
7	Condenser Assy	1	011002062063
8	Strainer	1	0721160101
9	Capillary tube	2	81020167
10	Current Divider	1	035032060012
11	Temp Sensor Sleeving	9	05212423
12	Gas-liquid Separator Assy	1	07225017
13	Temperature Sensor Support	9	42020063
14	EEV Assy	1	030174060252
15	EEV Only	4	072009060033
16	Strainer	4	0721304401
17	Cut off Valve Sub-Assy(1/4)	4	030057060367
18	Cut-off valve 1/4(N)	1	07130239
19	Cut off Valve Sub-Assy 3/8	4	030057060366
20	Cut-off valve 3/8(N)	1	071302391
21	EEV Coil 1	1	07200206002301
22	EEV Coil 2	1	07200206002303
23	EEV Coil 3	1	07200206002304
24	EEV Coil 4	1	07200206002305
25	4-Way Valve Assy w/Weight	1	030152061055
26	4-Way Valve Assy	1	030152061053
27	4-way Valve Only	1	4300008201
28	Tube Clip	1	2611301901
29	Pressure Protect Switch	1	4602000604
30	Silencer	1	07245007



## MULTI30HP230V1EO

No.	Description	Qty.	Part No.
31	Joint	1	06652200001
32	Fusible Plug	1	035222000004
33	Magnet Coil	1	4300040072
34	Motor Support Sub-Assy	1	017012060353
35	Brushless DC Motor	1	15010406011801
36	Axial Flow Fan	1	1043410000501
37	Electric Box Assy	1	100002074778
38	Filter Board	1	300020060104
39	Main Board	1	300027062668
40	Relay	1	44020455
41	Terminal Board	1	42200006001201
42	Terminal Board	4	422000060015
43	Magnetic Ring	1	49018000015
44	Wire Clamp	1	200015060025
45	Wire Clamp	1	71010003
46	Insulation Gasket	1	70410334
47	Temperature Sensor	1	3900030815
48	Sensor Sub-assy	1	39000206003903
49	Heat Insulator	2	12128748
50	Left Side Panel	1	012055060419P
51	Handle	1	2623305301
52	Front Panel Assy	1	000003060661
53	Cabinet	1	01202206002101P
54	Front Grillee	1	016004060015
55	Right Side Plate	1	01205606056501P
56	Rear Grillee	1	016001060101
57	Top Cover Assy	1	000097060568
58	Top cover	1	012049060148P
59	Handle Assy	1	000223000029
60	Valve Cover	1	200087060009
61	Packaging Foam	1	110007060697
62	Packaging Foam	1	110007060696
63	Adaptor	4	06642038
64	Drainage Hole Cap	4	06813401
65	Drainage Joint	1	26113009



The component is only for reference; please refer to the actual product.

**THE PARTS LIST ON THE NEXT PAGE DOES NOT FOLLOW THE NUMBERS SHOWN ON THE EXPLODED VIEW. HOWEVER IT PROVIDES A MUCH MORE DETAILED PARTS LISTING.**

Some models may not contain some parts, please refer to the actual product.

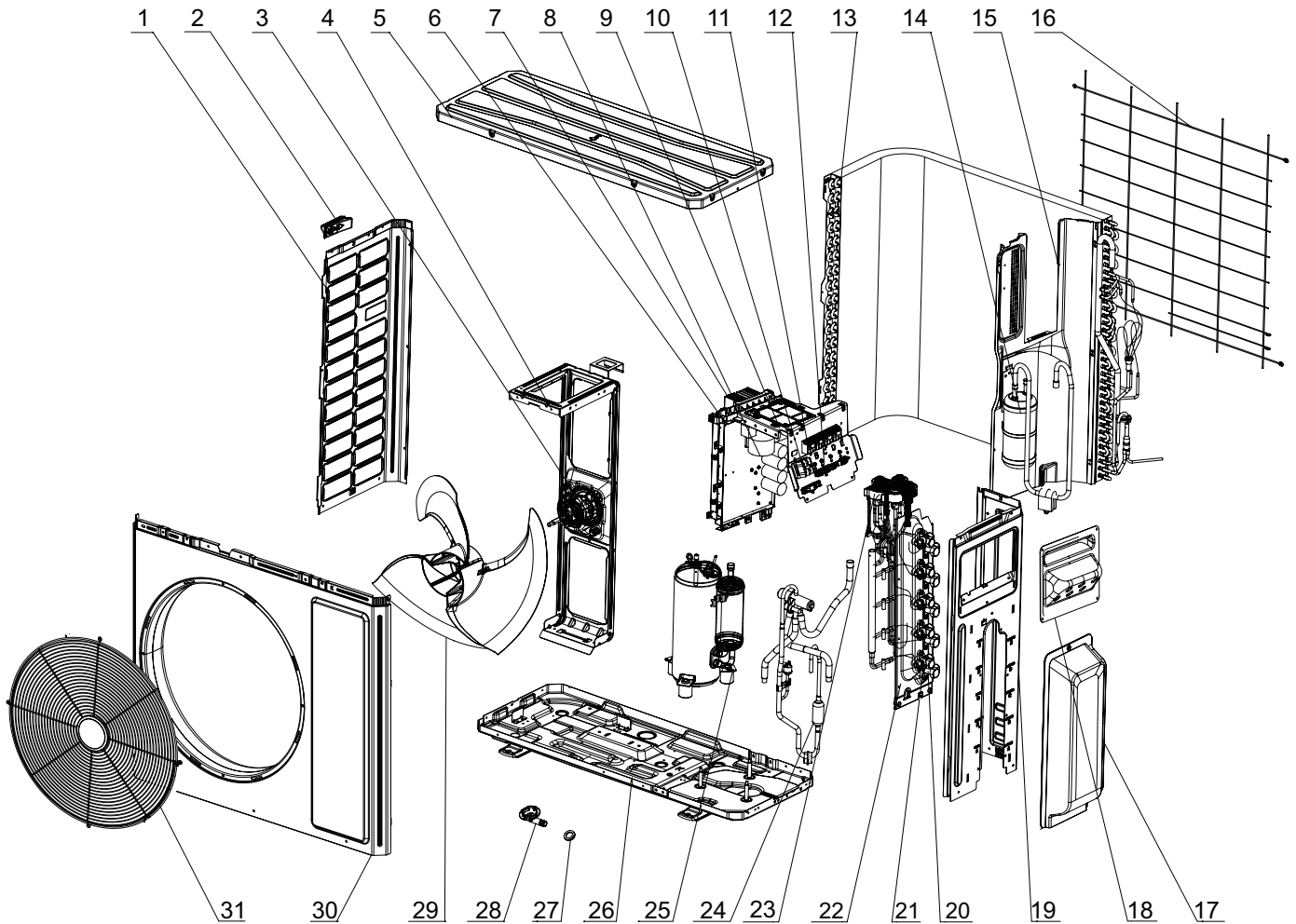


## MULTI36HP230V1EO

No.	Description	Qty.	Part No.
1	Chassis Sub-assy	1	01700006084602P
2	Electrical Heater	1	765100049
3	Compressor and Fittings	1	009001060917
4	Compressor Gasket	3	76710247
5	Compressor OL (External) 1	1	00183031
6	Compressor OL (External) 2	1	00183032
7	Condenser Assy	1	011002062063
8	Strainer	1	0721160101
9	Capillary tube	2	81020167
10	Current Divider	1	035032060012
11	Temp Sensor Sleeving	9	05212423
12	Gas-liquid Separator Assy	1	07225017
13	Temperature Sensor Support	9	42020063
14	EEV Assy	1	030174060252
15	EEV Only	4	072009060033
16	Strainer	4	0721304401
17	Cut off Valve Sub-Assy(1/4)	4	030057060367
18	Cut-off valve 1/4(N)	1	07130239
19	Cut off Valve Sub-Assy 3/8	4	030057060366
20	Cut-off valve 3/8(N)	1	071302391
21	EEV Coil 1	1	07200206002301
22	EEV Coil 2	1	07200206002303
23	EEV Coil 3	1	07200206002304
24	EEV Coil 4	1	07200206002305
25	4-Way Valve Assy w/Weight	1	030152061055
26	4-Way Valve Assy	1	030152061053
27	4-way Valve Only	1	4300008201
28	Tube Clip	1	2611301901
29	Pressure Protect Switch	1	4602000604
30	Silencer	1	07245007
31	Joint	1	06652200001
32	Fusible Plug	1	035222000004
33	Magnet Coil	1	4300040072
34	Motor Support Sub-Assy	1	017012060353
35	Brushless DC Motor	1	15010406011801
36	Axial Flow Fan	1	1043410000501
37	Electric Box Assy	1	100002074778
38	Filter Board	1	300020060104

## MULTI36HP230V1EO

No.	Description	Qty.	Part No.
39	Main Board	1	300027062668
40	Relay	1	44020455
41	Terminal Board	1	42200006001201
42	Terminal Board	4	422000060015
43	Magnetic Ring	1	49018000015
44	Wire Clamp	1	200015060025
45	Wire Clamp	1	71010003
46	Insulation Gasket	1	70410334
47	Temperature Sensor	1	3900030815
48	Sensor Sub-assy	1	39000206003903
49	Heat Insulator	2	12128748
50	Left Side Panel	1	012055060419P
51	Handle	1	2623305301
52	Front Panel Assy	1	000003060661
53	Cabinet	1	01202206002101P
54	Front Grillee	1	016004060015
55	Right Side Plate	1	01205606056501P
56	Rear Grillee	1	016001060101
57	Top Cover Assy	1	000097060568
58	Top cover	1	012049060148P
59	Handle Assy	1	000223000029
60	Valve Cover	1	200087060009
61	Packaging Foam	1	110007060697
62	Packaging Foam	1	110007060696
63	Adaptor	4	06642038
64	Drainage Hole Cap	4	06813401
65	Drainage Joint	1	26113009



The component is only for reference; please refer to the actual product.

**THE PARTS LIST ON THE NEXT PAGE DOES NOT FOLLOW THE NUMBERS SHOWN ON THE EXPLODED VIEW. HOWEVER IT PROVIDES A MUCH MORE DETAILED PARTS LISTING.**

Some models may not contain some parts, please refer to the actual product.



## MULTI42HP230V1EO

No.	Description	Qty.	Part No.
1	Chassis Sub-assy	1	01700006084603P
2	Electrical Heater	1	765100049
3	Compressor and Fittings	1	009001060896
4	Compressor Gasket	3	76713066
5	Compressor OL (External) 1	1	00183031
6	Compressor OL (External) 2	1	00183032
7	Condenser Assy	1	011002062220
8	Temp Sensor Sleeving	11	05212423
9	Strainer	1	035021060019
10	Current Divider	1	035032060023
11	Gas-liquid Separator Assy	1	07225017
12	Temp Sensor Support	11	42020063
13	Cut off Valve Sub-Assy(1/4)	5	030057060367
14	Cut-off valve 1/4(N)	1	07130239
15	EEV Assu	1	030174060240
16	EEV Only	5	072009060033
17	Strainer	5	0721304401
18	Cut off Valve Sub-Assy 3/8	5	030057060366
19	Cut-off valve 3/8(N)	1	071302391
20	EEV Coil 1	1	07200206002301
21	EEV Coil 2	1	07200206002303
22	EEV Coil 3	1	07200206002304
23	EEV Coil 4	1	07200206002305
24	EEV Coil 5	1	07200206002335
25	4-Way Valve Assy w/Weight	1	030152061151
26	4-Way Valve Assy	1	030152061148
27	4-way Valve	1	4300008201
28	Silencer	1	07245007
29	Pressure Protect Switch	1	4602000604
30	Tube Clip	1	2611301901
31	Joint	1	06652200001

## MULTI42HP230V1EO

No.	Description	Qty.	Part No.
32	Fusible Coil	1	035222000004
33	Magnet Coil (4-Way Valve)	1	4300040072
34	Motor Support Sub-Assy	1	017012060353
35	Brushless DC Motor	1	15010406011801
36	Axial Flow Fan	1	1043410000501
37	Electric Box Assy	1	100002077052
38	Filter Board	1	300020060104
39	Main Board	1	300027062886
40	Relay	1	44020455
41	Terminal Board	1	42200006001201
42	Terminal Board	5	422000060015
43	Magnetic Ring	1	49018000015
44	Wire Clamp	2	200015060025
45	Temperature Sensor	1	3900030815
46	Sensor Sub-assy	1	39000206003904
47	Heat Insulator	3	12128748
48	Left Side Panel	1	012055060419P
49	Handle	1	2623305301
50	Front Panel Assy	1	000003060661
51	Cabinet	1	01202206002101P
52	Front Grille	1	016004060015
53	Right Side Plate	1	01205606056501P
54	Rear Grillee	1	016001060101
55	Top Cover Assy	1	000097060568
56	Top cover	1	012049060148P
57	Handle Assy	1	000223000029
58	Valve Cover	1	200087060009
59	Packaging Foam	1	110007060697
60	Packaging Foam	1	110007060696
61	Adaptor	5	06642038
62	Drainage Hole Cap	4	06813401
63	Drainage Joint	1	26113009